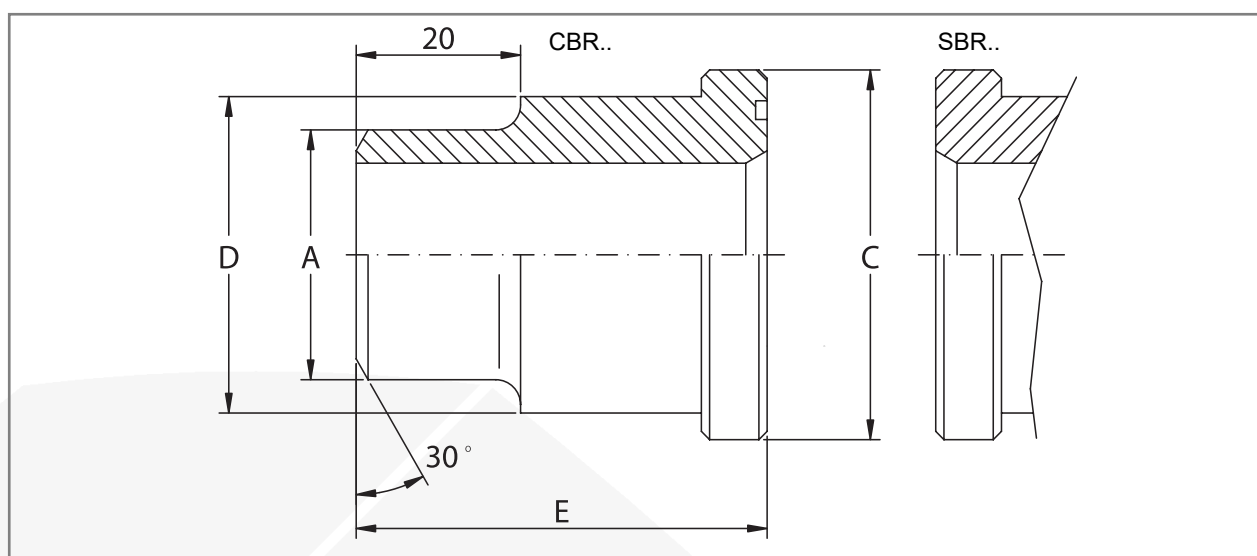




OSSO FACTORY

ADAPTADORES
SOLDABLES DE
TUBO METRICO

WELD ON
ADAPTERS FOR
METRIC TUBE



Presion maxima/ maximum pressure Kg/cm ²	Medida/Size	Tipo/Type	Dimensiones/ Dimensions				O-ring
			A	C	D	E	
SERIE 3000							
345	3/4"	BR-3000-WN-1225M	25	38,1	32	50	2-214
345	1"	BR-3000-WN-1630M	30	44,4	38	50	2-219
276	1"1/4	BR-3000-WN-2038M	38	50,8	43	55	2-222
207	1"1/2	BR-3000-WN-2445M	45	60,3	50	57	2-225
SERIE 6000							
414	3/4"	BR-6000-WN-1225M	25	41,3	32	38	2-214
414	1"	BR-6000-WN-1630M	30	47,6	38	40	2-219
414	1"1/4	BR-6000-WN-2038M	38	54,0	44	45	2-222
414	1"1/2	BR-6000-WN-2445M	45	63,5	51	50	2-225

DESIGNACIÓN POR PEDIDO
DESIGNATION FOR ORDER

MATERIAL

Adaptador con ranura para junta tórica
Adapter with o-ring groove

1045/1020

AISI 316L

CBR..

CIBR..

Adaptador sin ranura para junta tórica
Adapter without o-ring groove

SBR..

SIBR..