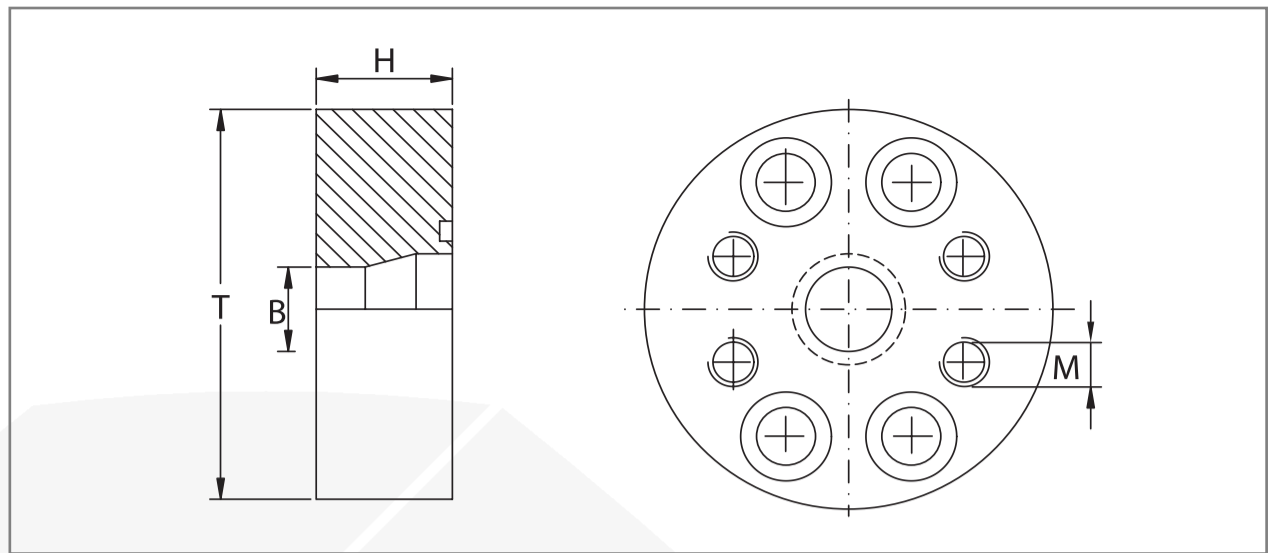




OSO FACTORY

ADAPTADORES
REDUCTORES
SAE

SAE REDUCER
ADAPTERS



Presion maxima/ maximum pressure Kg/cm ²	Medida/Size	Tipo/Type	Dimensiones/ Dimensions				O-ring
			B	H	T	M	
SERIE 3000							
200	1" - 3/4"	BLBCRE-3000-1612	19	28	80	M10	2-219
200	1"1/4 - 1"	BLBCRE-3000-2016	25	28	90	M10	2-222
200	1"1/2 - 1"1/4	BLBCRE-3000-2420	30	32	105	M10	2-225
200	2" - 1"1/2	BLBCRE-3000-3224	38	32	115	M12	2-228
172	2"1/2 - 2"	BLBCRE-3000-4032	50	50	135	M12	2-232
SERIE 6000							
400	1" - 3/4"	BLBCRE-6000-1612	19	30	90	M10	2-219
400	1"1/4 - 1"	BLBCRE-6000-2016	25	35	105	M12	2-222
400	1"1/2 - 1"1/4	BLBCRE-6000-2420	30	50	120	M14	2-225
400	2" - 1"1/2	BLBCRE-6000-3224	38	50	145	M16	2-228

DESIGNACIÓN POR PEDIDO DESIGNATION FOR ORDER	MATERIAL	
	1045/1020	AISI 316L
Adaptador recto Straight adapter	BLBCRE..	IBLBCRE..

--	--	--