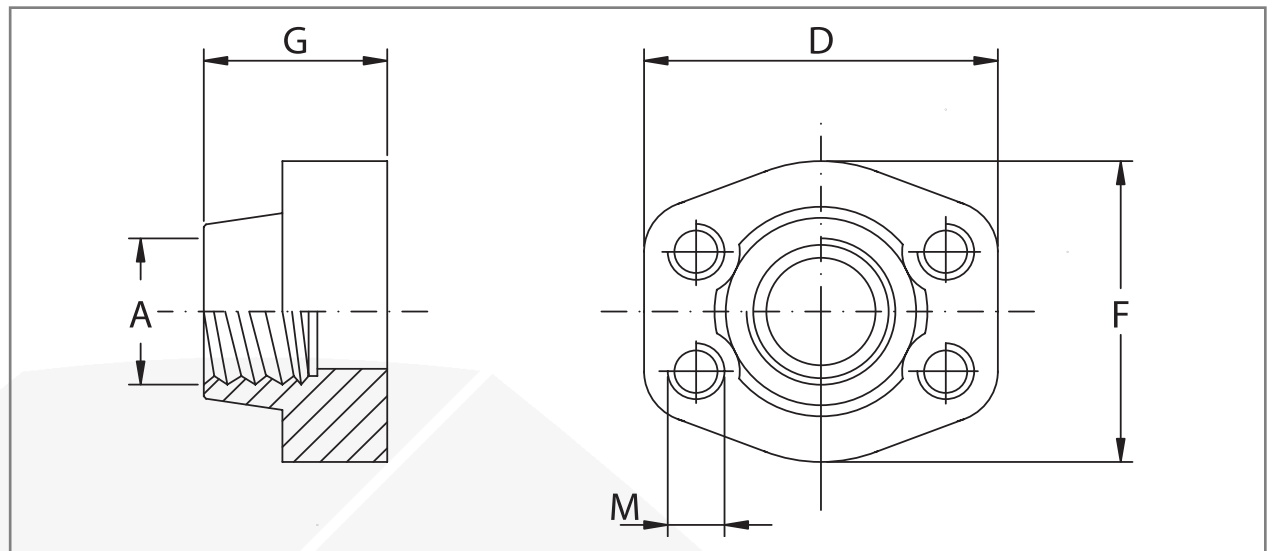




CONTRABRIDAS
ROSCADAS NPT

NPT THREADED
COUNTER -
FLANGES

OSSO FACTORY



Presion maxima/ maximum pressure Kg/cm ²	Medida/Size	Tipo/Type	Dimensiones/ Dimensions					
			A	D	F	G	M	
SERIE 3000							Metrico/Metric	UNC
345	3/4"	BLC-3000-RHNPT-1212	3/4" NPT	65	50	36	M10	3/8"
345	3/4"	BLC-3000-RHNPT-1208	1/2" NPT	65	50	36	M10	3/8"
345	1"	BLC-3000-RHNPT-1616	1" NPT	70	55	38	M10	3/8"
345	1"	BLC-3000-RHNPT-1612	3/4" NPT	70	55	35	M10	3/8"
276	1"1/4	BLC-3000-RHNPT-2020	1"1/4 NPT	79	68	41	M10	7/16"
276	1"1/4	BLC-3000-RHNPT-2016	1" NPT	81	65	42	M10	7/16"
207	1"1/2	BLC-3000-RHNPT-2424	1"1/2 NPT	93	78	45	M12	1/2"
207	1"1/2	BLC-3000-RHNPT-2420	1"1/4 NPT	95	78	45	M12	1/2"
207	2"	BLC-3000-RHNPT-3232	2" NPT	102	90	45	M12	1/2"
207	2"	BLC-3000-RHNPT-3224	1"1/2 NPT	102	90	45	M12	1/2"
172	2"1/2	BLC-3000-RHNPT-4040	2"1/2 NPT	114	105	50	M12	1/2"
138	3"	BLC-3000-RHNPT-4848	3" NPT	134	124	50	M16	5/8"
34	3"1/2	BLC-3000-RHNPT-5656	3"1/2 NPT	152	136	48	M16	5/8"
34	4"	BLC-3000-RHNPT-6464	4" NPT	162	146	48	M16	5/8"
SERIE 6000							Metrico/Metric	UNC
414	3/4"	BLC-6000-RHNPT-1212	3/4" NPT	71	55	35	M10	3/8"
414	3/4"	BLC-6000-RHNPT-1208	1/2" NPT	71	55	35	M10	3/8"
414	1"	BLC-6000-RHNPT-1616	1" NPT	81	65	42	M12	7/16"
414	1"	BLC-6000-RHNPT-1612	3/4" NPT	81	65	42	M12	7/16"
414	1"1/4	BLC-6000-RHNPT-2020	1"1/4 NPT	95	78	45	M14	1/2"
414	1"1/4	BLC-6000-RHNPT-2016	1" NPT	95	78	45	M14	1/2"
414	1"1/2	BLC-6000-RHNPT-2424	1"1/2 NPT	112	94	50	M16	5/8"
414	1"1/2	BLC-6000-RHNPT-2420	1"1/4 NPT	112	94	50	M16	5/8"
414	2"	BLC-6000-RHNPT-3232	2" NPT	134	114	65	M20	3/4"
414	2"	BLC-6000-RHNPT-3224	1"1/2 NPT	134	114	65	M20	3/4"

DESIGNACIÓN POR PEDIDO DESIGNATION FOR ORDER	MATERIAL	
	1045/1020	AISI 316L
Contrabrida con orificios de fijación roscados métricos Counter-flange with metric threaded fixing holes	MBLC..	MIBLC..
Contra brida con agujeros de fijación roscados unc Counter-flange with unc threaded fixing holes	UBLC..	UIBLC..