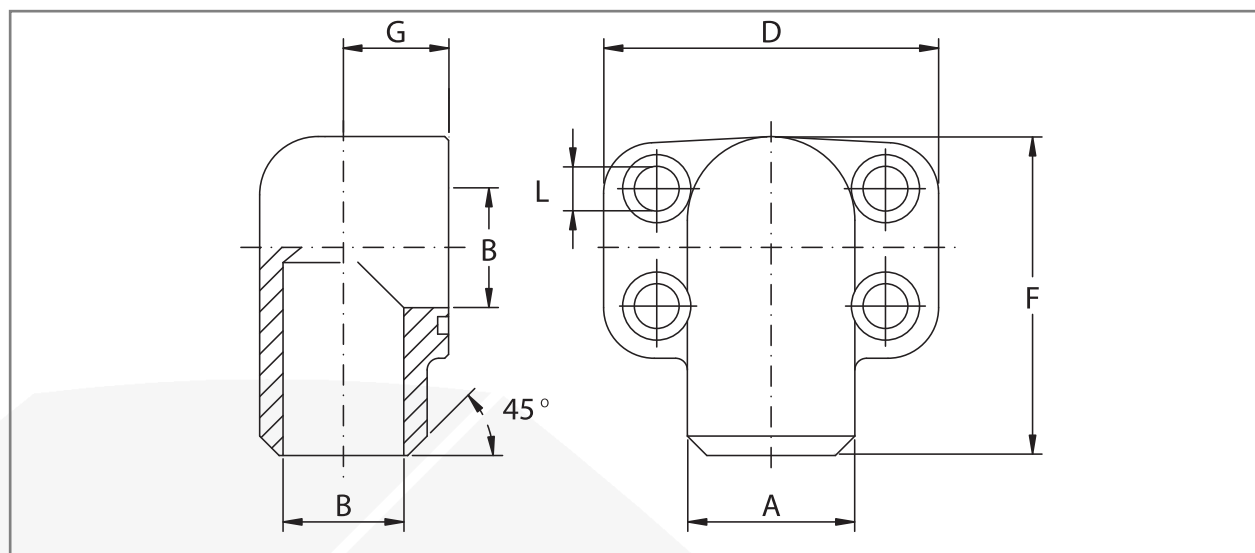




OSSO FACTORY

BRIDAS
SOLDABLES 90°
WELD ON 90°
FLANGES



Presion maxima/ maximum pressure Kg/cm ²	Medida/Size	Tipo/Type	Dimensiones/ Dimensions					Tornillo/Screws (L)		O-ring
			A	B	D	F	G	Metrico/Metric	UNC	
SERIE 3000										
345	3/4"	BL90B-3000-WN-1212	28,0	19	70	63	23	M10x40	-	2-214
345	1"	BL90B-3000-WN-1616	34,0	23	75	72	25	M10x40	-	2-219
276	1"1/4	BL90B-3000-WN-2020	42,8	31	86	82	27	M10x45	-	2-222
207	1"1/2	BL90B-3000-WN-2424	48,6	35	97	92	31,5	M12x60	-	2-225
207	2"	BL90B-3000-WN-3232	61,0	48	100	99	37,5	M12x70	-	2-228
172	2"1/2	BL90B-3000-WN-4040	77,0	63	120	120	50	M12x100	-	2-232
SERIE 6000										
414	3/4"	BL90B-6000-WN-1212	28,0	19	71	70	22	M10x35	3/8"x1"1/2	2-214
414	1"	BL90B-6000-WN-1616	34,0	25	81	82	27	M12x45	7/16"x1"3/4	2-219
375	1"1/4	BL90B-6000-WN-2020	42,8	32	95	95	32	M14x45	1/2"x1"3/4	2-222
320	1"1/2	BL90B-6000-WN-2424	48,6	38	113	115	40	M16x55	5/8"x2"1/4	2-225

DESIGNACIÓN POR PEDIDO DESIGNATION FOR ORDER	MATERIAL	
	1045/1020	AISI 316L
Solo brida Only flange	BL90B..	IBL90B..
Brida completa de tornillos métricos, arandelas y junta tórica Flange complete of metric screws, grower type washers and o-ring	MBL90B..	MIBL90B..
Brida completa de tornillos unc, arandelas y junta tórica Flange complete of unc screws, grower type washers and o-ring	UBL90B..	UIBL90B..