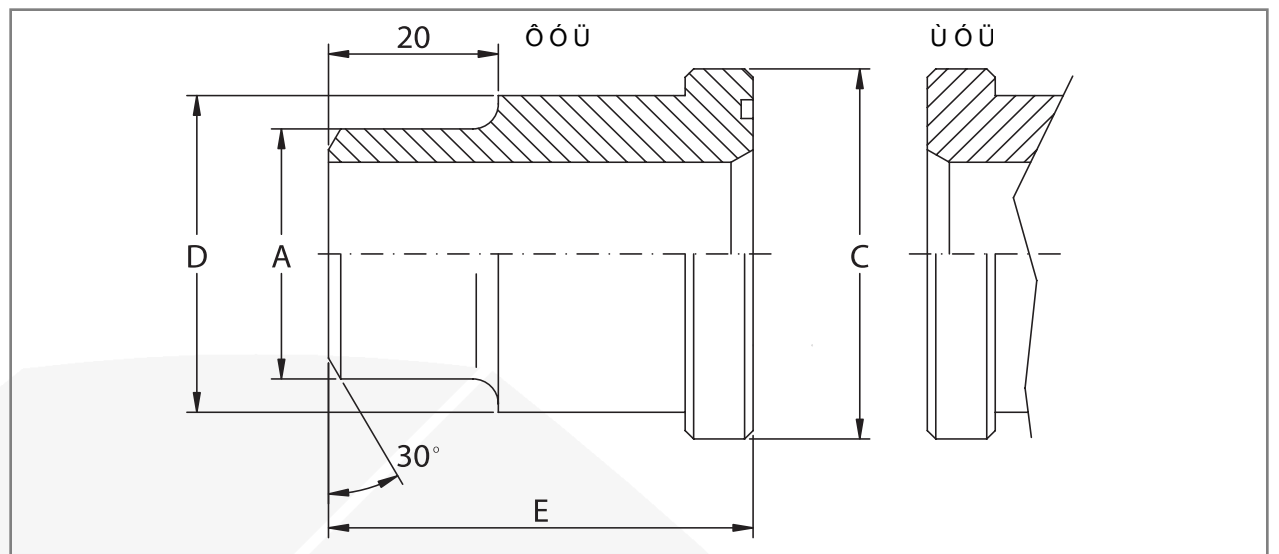




OSSO FACTORY

ADAPTADORES
SOLDABLES
PARA TUBO BSP

WELD ON
ADAPTERS FOR
BSP TUBE



Presion maxima/ maximum pressure Kg/cm ²	Medida/Size	Tipo/Type	Dimensiones/ Dimensions				O-ring
			A	C	D	E	
SERIE 3000							
345	3/4"	BR-3000-WN-1212	28,0	38,1	32	50	2-214
345	1"	BR-3000-WN-1616	34,0	44,4	38	50	2-219
276	1"1/4	BR-3000-WN-2020	42,8	50,8	43	55	2-222
207	1"1/2	BR-3000-WN-2424	48,6	60,3	50	57	2-225
207	2"	BR-3000-WN-3232	61,0	71,4	62	57	2-228
SERIE 6000							
414	3/4"	BR-6000-WN-1212	28,0	41,3	32	38	2-214
414	1"	BR-6000-WN-1616	34,0	47,6	38	40	2-219
414	1"1/4	BR-6000-WN-2020	42,8	54,0	44	45	2-222
414	1"1/2	BR-6000-WN-2424	48,6	63,5	51	50	2-225
414	2"	BR-6000-WN-3232	61,0	79,4	67	58	2-228

DESIGNACIÓN POR PEDIDO DESIGNATION FOR ORDER	MATERIAL	
	1045/1020	AISI 316L
Adaptador con ranura para junta tórica Adapter with o-ring groove	CBR..	CIBR..
Adaptador sin ranura para junta tórica Adapter without o-ring groove	SBR..	SIBR..