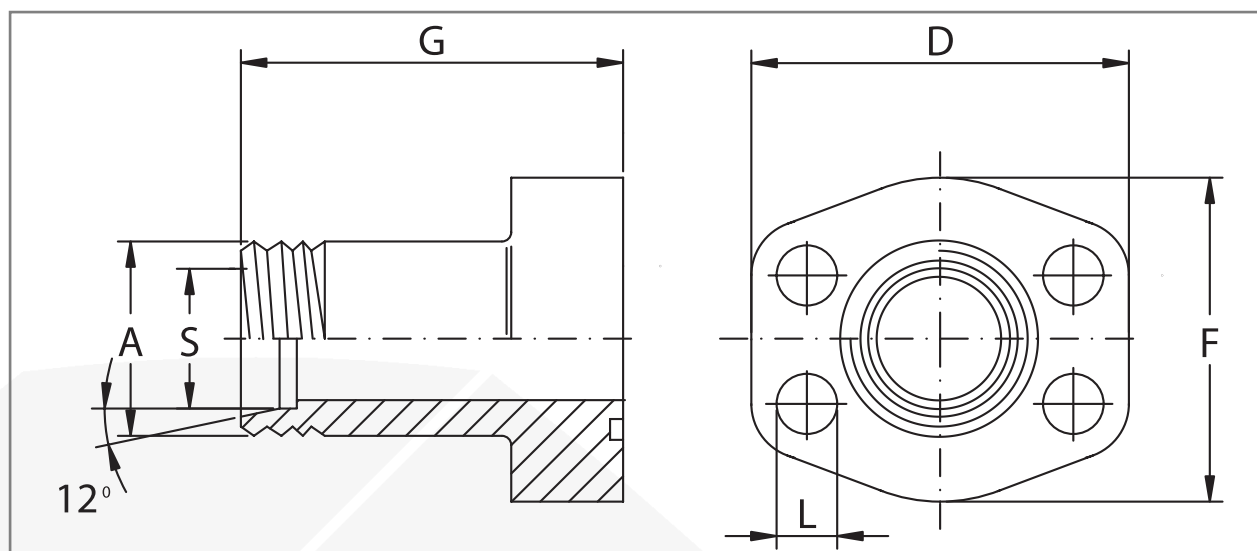




OSSO FACTORY

BRIDAS  
ROSCADAS  
MÉTRICAS  
DIN 3901-3902

DIN 3901-3902  
METRIC  
THREADED  
FLANGES



Presion maxima/ maximum pressure Kg/cm <sup>2</sup>	Medida/Size	Tipo/Type	Dimensiones/ Dimensions					Tornillo/Screws (L)		O-ring
			A	D	F	G	S	Metrico/Metric	UNC	
<b>SERIE 3000</b>										
345	3/4"	BLB-3000-RMMT-1230	M30x2	65	50	60	22	M10x30	3/8"x1"1/2	2-214
345	1"	BLB-3000-RMMT-1636	M36x2	70	55	63	28	M10x35	3/8"x1"1/2	2-219
276	1"1/4	BLB-3000-RMMT-2045	M45x2	79	68	65	35	M10x35	7/16"x1"3/4	2-222
207	1"1/2	BLB-3000-RMMT-2452	M52x2	94	78	70	42	M12x35	1/2"x1"3/4	2-225
<b>SERIE 6000</b>										
414	3/4"	BLB-6000-RMMT-1236	M36x2	71	60	73	25	M10x40	3/8"x1"1/2	2-214
414	1"	BLB-6000-RMMT-1642	M42x2	81	70	82	30	M12x45	7/16"x1"3/4	2-219
414	1"1/4	BLB-6000-RMMT-2052	M52x2	95	78	92	38	M14x45	-	2-222
414	1"1/2	BLB-6000-RMMT-2452	M52x2	113	95	96	38	M16x55	5/8"x2"1/4	2-225

DESIGNACIÓN POR PEDIDO DESIGNATION FOR ORDER	MATERIAL	
	1045/1020	AISI 316L
Solo brida Only flange	BLB..	IBLB..
Brida completa de tornillos métricos, arandelas y junta tórica Flange complete of metric screws, grower type washers and o-ring	MBLB..	MIBLB..
Brida completa de tornillos unc, arandelas y junta tórica Flange complete of unc screws, grower type washers and o-ring	UBLB..	UIBLB..