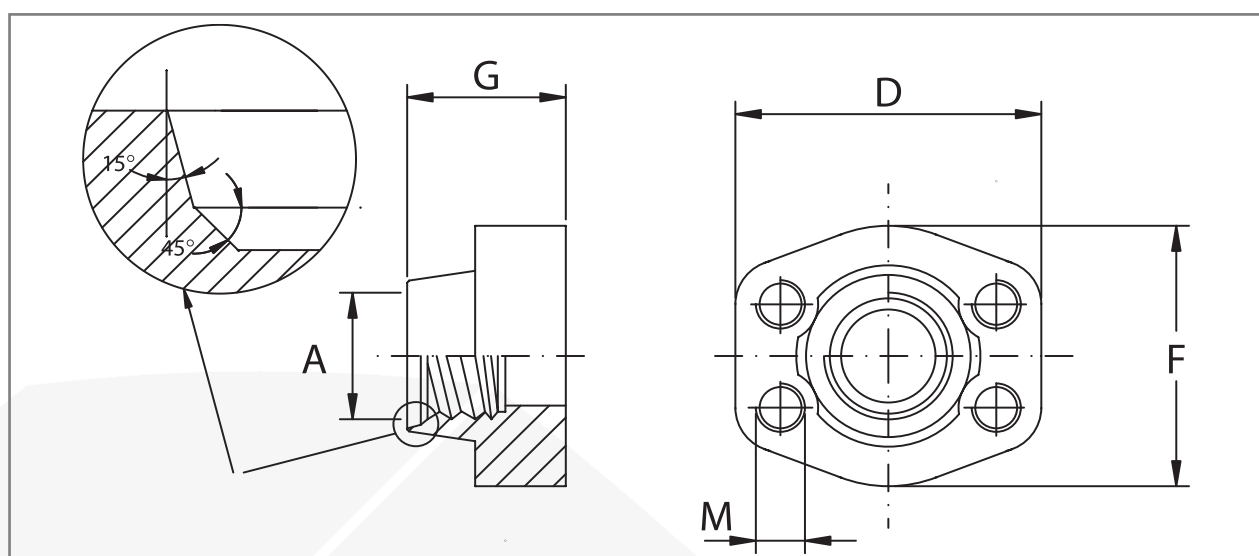




OSSO FACTORY

CONTRABRIDAS  
ROSCADAS UNF  
CON O-RING

THREADED  
COUNTER-  
FLANGES UNF  
WITH O-RING



Presion maxima/ maximum pressure Kg/cm <sup>2</sup>	Medida/Size	Tipo/Type	Dimensiones/ Dimensions					
			A	D	F	G	M	
<b>SERIE 3000</b>			Metrico/Metric					
345	3/4"	BLC-3000-RHBOSS-1212	1"1/16 - 12UN	65	50	36	M10	3/8"
345	1"	BLC-3000-RHBOSS-1616	1"5/16 - 12UN	70	55	38	M10	3/8"
276	1"1/4	BLC-3000-RHBOSS-2020	1"5/8 - 12UN	79	68	41	M10	7/16"
207	1"1/2	BLC-3000-RHBOSS-2424	1"7/8 - 12UN	93	78	45	M12	1/2"
<b>SERIE 6000</b>			Metrico/Metric					
414	3/4"	BLC-6000-RHBOSS-1212	1"1/16 - 12UN	71	55	35	M10	3/8"
414	1"	BLC-6000-RHBOSS-1616	1"5/16 - 12UN	81	65	42	M12	7/16"
414	1"1/4	BLC-6000-RHBOSS-2020	1"5/8 - 12UN	95	78	45	M14	1/2"
414	1"1/2	BLC-6000-RHBOSS-2424	1"7/8 - 12UN	112	94	50	M16	5/8"

DESIGNACIÓN POR PEDIDO DESIGNATION FOR ORDER	MATERIAL	
	1045/1020	AISI 316L
Contrabrida con orificios de fijación roscados métricos Counter-flange with metric threaded fixing holes	MBLC..	MIBLC..
Contra brida con agujeros de fijación roscados unc Counter-flange with unc threaded fixing holes	UBLC..	UIBLC..