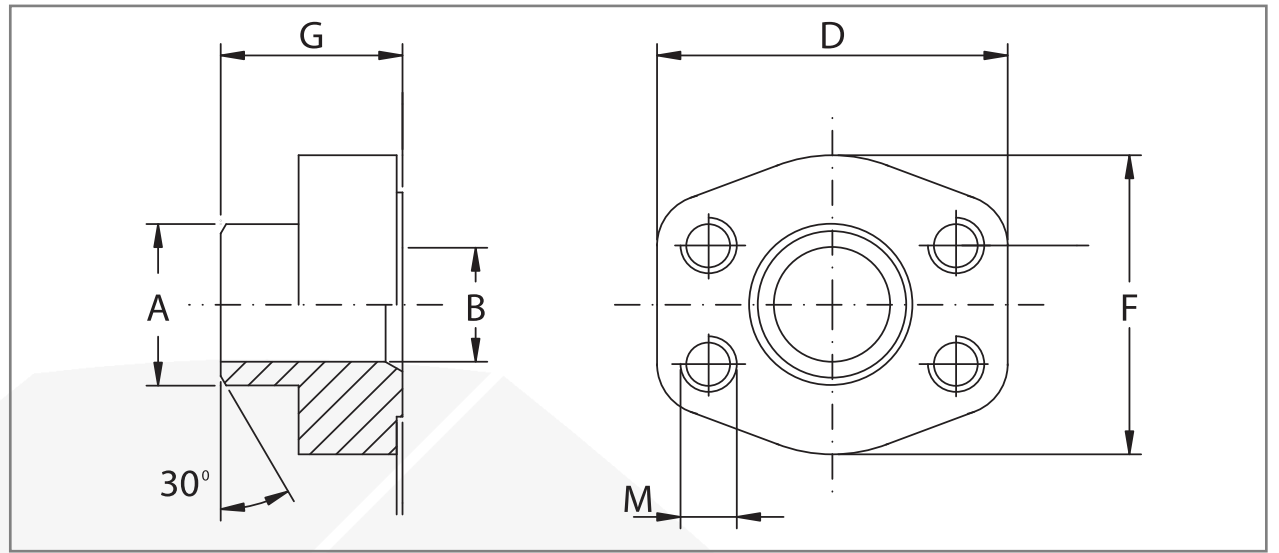




OSSO FACTORY

CONTRABRIDAS
SOLDABLES -
TUBO METRICO
(PESADO)

METRIC PIPE
CYLINDRIC ON
COUNTER -
FLANGES



Presion maxima/ maximum pressure Kg/cm ²	Medida/Size	Tipo/Type	Dimensiones/ Dimensions							
			A	B	D	F	G	M		
SERIE 3000									Metrico/Metric	UNC
345	3/4"	BLC-3000-WN-1225M	25	19	65	50	36		M10	3/8"
345	1"	BLC-3000-WN-1630M	30	22	70	55	38		M10	3/8"
276	1"1/4	BLC-3000-WN-2038M	38	30	79	68	41		M10	7/16"
207	1"1/2	BLC-3000-WN-2442M	42	36	93	78	44,5		M12	1/2"
207	1"1/2	BLC-3000-WN-2449M	49	38	93	78	44,5		M12	1/2"
207	2"	BLC-3000-WN-3249M	49	42	102	90	45		M12	1/2"
207	2"	BLC-3000-WN-3261M	61	49	102	90	45		M12	1/2"
172	2"1/2	BLC-3000-WN-4077M	77	62	114	105	50		M12	1/2"
138	3"	BLC-3000-WN-4877M	77	70	134	124	51		M16	5/8"
138	3"	BLC-3000-WN-4877M	77	62	134	124	51		M16	5/8"
34	3"1/2	BLC-3000-WN-5677M	77	70	152	136	48		M16	5/8"
34	3"1/2	BLC-3000-WN-5690M	90	82	152	136	48		M16	5/8"
34	4"	BLC-3000-WN-6477M	77	70	162	146	48		M16	5/8"
34	4"	BLC-3000-WN-6490M	90	82	162	146	48		M16	5/8"
SERIE 6000										
414	3/4"	BLC-6000-WN-1220M	20	14	71	55	35		M10	3/8"
414	3/4"	BLC-6000-WN-1225M	25	17	71	55	35		M10	3/8"
414	1"	BLC-6000-WN-1625M	25	19	81	65	42		M12	7/16"
414	1"	BLC-6000-WN-1630M	30	22	81	65	42		M12	7/16"
414	1"1/4	BLC-6000-WN-2038M	38	28	95	78	44		M14	1/2"
414	1"1/2	BLC-6000-WN-2438M	38	28	112	94	56		M16	5/8"
414	1"1/2	BLC-6000-WN-2448M	48,6	32	112	94	56		M16	5/8"
414	2"	BLC-6000-WN-3261M	61	40	134	114	65		M20	3/4"

DESIGNACIÓN POR PEDIDO DESIGNATION FOR ORDER	MATERIAL	
	1045/1020	AISI 316L
Contra brida con orificios de fijación roscados métricos Counter-flange with metric threaded fixing holes	MBLC..M	MIBLC..M
Contra brida con agujeros de fijación roscados unc Counter-flange with unc threaded fixing holes	UBLC..M	UIBLC..M