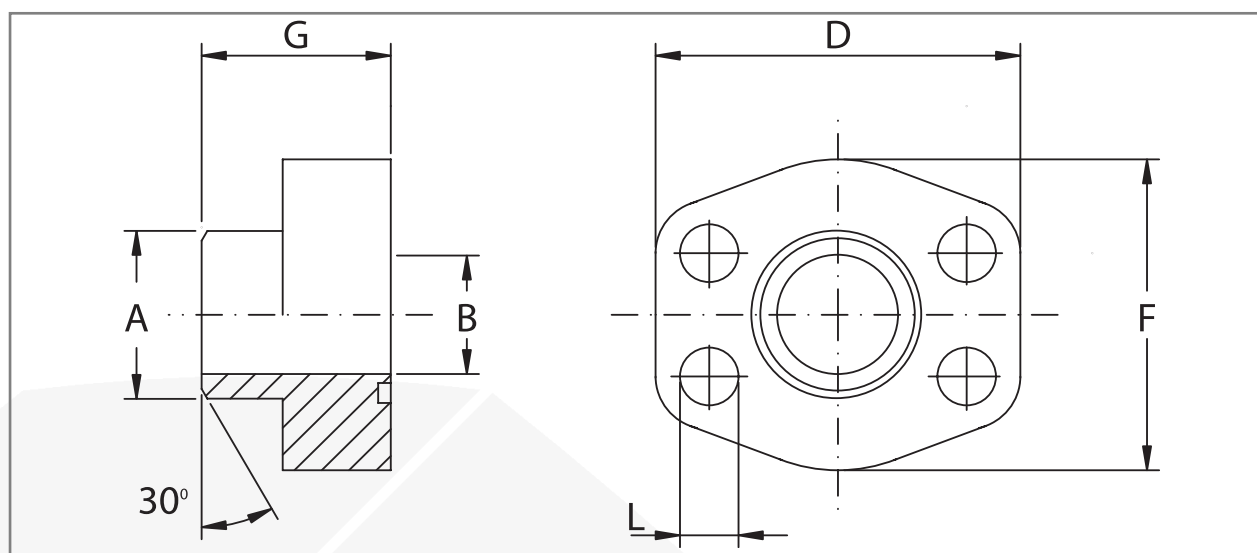




OSSO FACTORY

BRIDAS  
SOLDABLES  
SCH.80  
WELDING NECK  
FLANGES  
SCH.80



Presion maxima/ maximum pressure Kg/cm <sup>2</sup>	Medida/Size	Tipo/Type	Dimensiones/ Dimensions					Tornillo/Screws (L)		O-ring
			A	B	D	F	G	Metrico/Metric	UNC	
<b>SERIE 3000</b>										
345	3/4"	BLB-3000-WN.SCH80-1212	28,0	19	65	50	36	M10x35	3/8"x1"1/2	2-214
345	1"	BLB-3000-WN.SCH80-1616	34,0	25	70	55	38	M10x35	3/8"x1"1/2	2-219
276	1"1/4	BLB-3000-WN.SCH80-2020	42,8	32	79	68	41	M10x40	7/16"x1"3/4	2-222
207	1"1/2	BLB-3000-WN.SCH80-2424	48,6	38	93	78	44	M12x45	1/2"x1"3/4	2-225
207	2"	BLB-3000-WN.SCH80-3232	61,0	51	102	90	45	M12x45	1/2"x1"3/4	2-228
172	2"1/2	BLB-3000-WN.SCH80-4040	77,0	63	114	105	50	M12x45	1/2"x1"3/4	2-232
138	3"	BLB-3000-WN.SCH80-4848	92,0	73	134	124	50	M16x50	5/8"x2"	2-237
34	3"1/2	BLB-3000-WN.SCH80-5656	103,0	89	152	136	48	M16x50	5/8"x2"	2-241
34	4"	BLB-3000-WN.SCH80-6464	115,5	99	162	146	48	M16x50	5/8"x2"	2-254
<b>SERIE 6000</b>										
414	3/4"	BLB-6000-WN.SCH80-1212	28,0	19	71	55	35	M10x40	3/8"x1"1/2	2-214
414	1"	BLB-6000-WN.SCH80-1616	34,0	25	79	68	41	M12x45	7/16"x1"3/4	2-219
375	1"1/4	BLB-6000-WN.SCH80-2020	42,8	32	93	78	44	M14x45	-	2-222
320	1"1/2	BLB-6000-WN.SCH80-2424	48,6	38	112	94	55	M16x55	5/8"x2"1/4	2-225
250	2"	BLB-6000-WN.SCH80-3232	61,0	51	134	114	65	M20x70	3/4"x2"3/4	2-228

DESIGNACIÓN POR PEDIDO DESIGNATION FOR ORDER	MATERIAL	
	1045/1020	AISI 316L
Solo brida Only flange	BLB..	IBLB..
Brida completa de tornillos métricos, arandelas y junta tórica Flange complete of metric screws, grower type washers and o-ring	MBLB..	MIBLB..
Brida completa de tornillos unc, arandelas y junta tórica Flange complete of unc screws, grower type washers and o-ring	UBLB..	UIBLB..