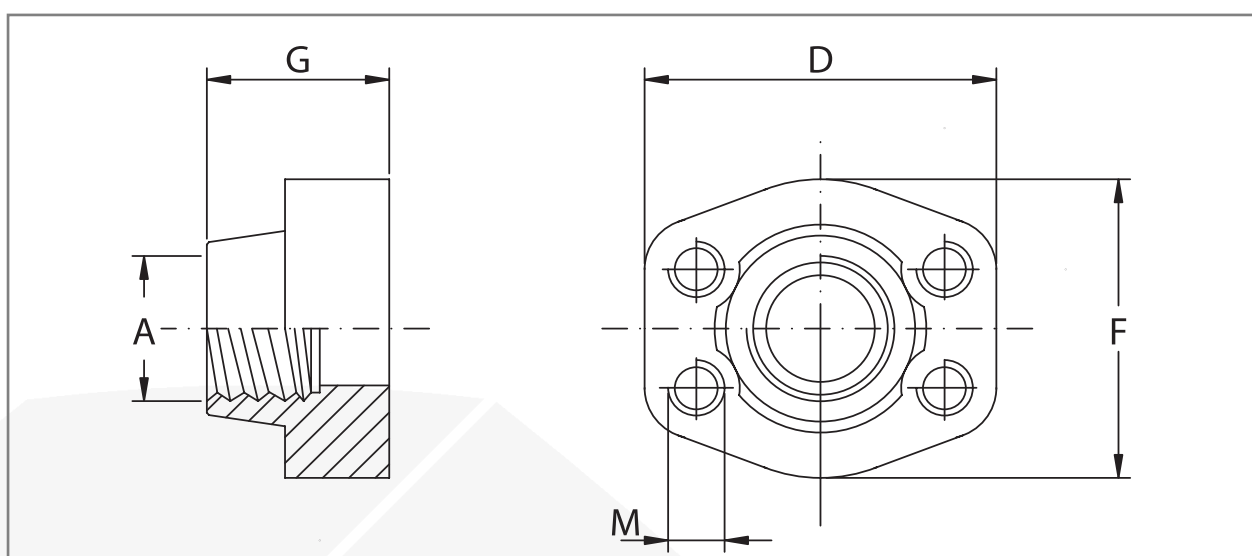




OSO FACTORY

CONTRABRIDAS
ROSCADAS BSP

BSP THREADED
COUNTER -
FLANGES



Presion maxima/ maximum pressure Kg/cm ²	Medida/Size	Tipo/Type	Dimensiones/ Dimensions					
			A	D	F	G	M	
SERIE 3000							Metrico/Metric	UNC
345	3/4"	BLC-3000-RHBSP-1212	3/4" GAS	65	50	36	M10	3/8"
345	3/4"	BLC-3000-RHBSP-1208	1/2" GAS	65	50	36	M10	3/8"
345	1"	BLC-3000-RHBSP-1616	1" GAS	70	55	38	M10	3/8"
345	1"	BLC-3000-RHBSP-1612	3/4" GAS	70	55	35	M10	3/8"
276	1"1/4	BLC-3000-RHBSP-2020	1"1/4 GAS	79	68	41	M10	7/16"
276	1"1/4	BLC-3000-RHBSP-2016	1" GAS	81	65	42	M10	7/16"
207	1"1/2	BLC-3000-RHBSP-2424	1"1/2 GAS	93	78	45	M12	1/2"
207	1"1/2	BLC-3000-RHBSP-2420	1"1/4 GAS	95	78	45	M12	1/2"
207	2"	BLC-3000-RHBSP-3232	2" GAS	102	90	45	M12	1/2"
207	2"	BLC-3000-RHBSP-3224	1"1/2 GAS	102	90	45	M12	1/2"
172	2"1/2	BLC-3000-RHBSP-4040	2"1/2 GAS	114	105	50	M12	1/2"
173	2"1/2	BLC-3000-RHBSP-4032	2" GAS	114	105	50	M12	1/2"
138	3"	BLC-3000-RHBSP-4848	3" GAS	134	124	50	M16	5/8"
138	3"	BLC-3000-RHBSP-4840	2"1/2 GAS	134	124	50	M16	5/8"
34	3"1/2	BLC-3000-RHBSP-5656	3"1/2 GAS	152	136	48	M16	5/8"
34	3"1/2	BLC-3000-RHBSP-5648	3" GAS	152	136	48	M16	5/8"
34	4"	BLC-3000-RHBSP-6464	4" GAS	162	146	48	M16	5/8"
34	4"	BLC-3000-RHBSP-6456	3"1/2 GAS	162	146	48	M16	5/8"
SERIE 6000								
414	3/4"	BLC-6000-RHBSP-1212	3/4" GAS	71	55	35	M10	3/8"
414	3/4"	BLC-6000-RHBSP-1208	1/2" GAS	71	55	35	M10	3/8"
414	1"	BLC-6000-RHBSP-1616	1" GAS	81	65	42	M12	7/16"
414	1"	BLC-6000-RHBSP-1612	3/4" GAS	81	65	42	M12	7/16"
414	1"1/4	BLC-6000-RHBSP-2020	1"1/4 GAS	95	78	45	M14	1/2"
414	1"1/4	BLC-6000-RHBSP-2016	1" GAS	95	78	45	M14	1/2"
414	1"1/2	BLC-6000-RHBSP-2424	1"1/2 GAS	112	94	50	M16	5/8"
414	1"1/2	BLC-6000-RHBSP-2420	1"1/4 GAS	112	94	50	M16	5/8"
414	2"	BLC-6000-RHBSP-3232	2" GAS	134	114	65	M20	3/4"
414	2"	BLC-6000-RHBSP-3224	1"1/2 GAS	134	114	65	M20	3/4"

DESIGNACIÓN POR PEDIDO DESIGNATION FOR ORDER	MATERIAL	
	1045/1020	AISI 316L
Contrabrida con orificios de fijación roscados métricos Counter-flange with metric threaded fixing holes	MBLC..	MIBLC..
Contra brida con agujeros de fijación roscados unc Counter-flange with unc threaded fixing holes	UBLC..	UIBLC..