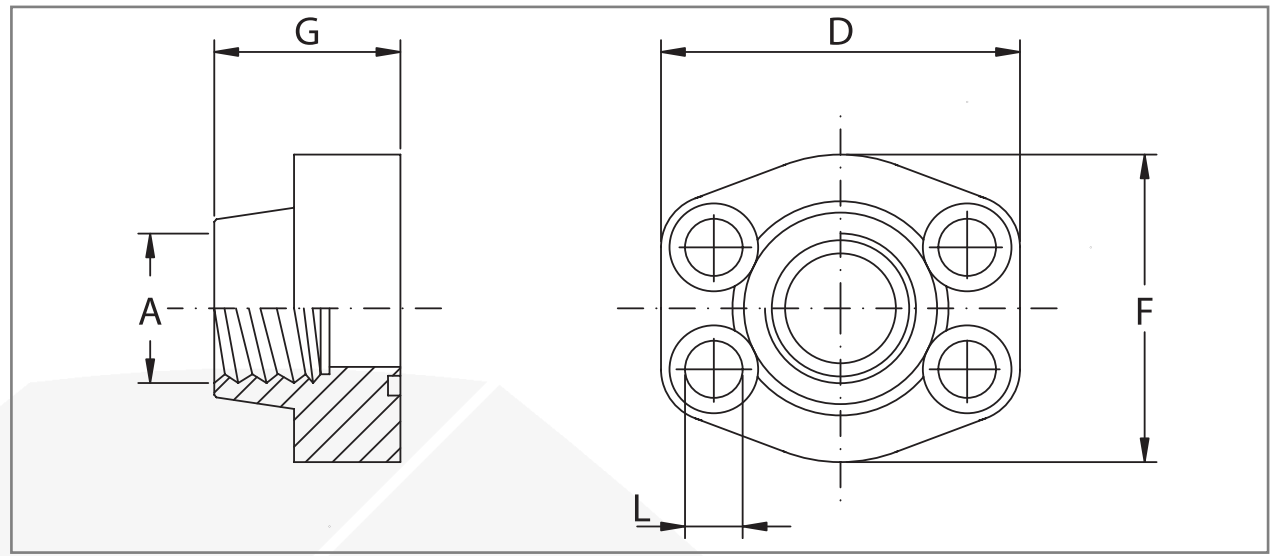




BRIDAS
ROSCADAS NPT
NPT THREADED
FLANGES

OSSO FACTORY



Presion maxima/ maximum pressure Kg/cm ²	Medida/Size	Tipo/Type	Dimensiones/ Dimensions				Tornillo/Screws (L)		O-ring
			A	D	F	G	Metrico/Metric	UNC	
SERIE 3000									
345	3/4"	BLB-3000-RHNPT-1212	3/4" NPT	65	50	36	M10x35	3/8"x1"1/2	2-214
345	3/4"	BLB-3000-RHNPT-1208	1/2" NPT	65	50	36	M10x35	3/8"x1"1/2	2-214
345	1"	BLB-3000-RHNPT-2020	1" NPT	70	55	38	M10x35	3/8"x1"1/2	2-219
345	1"	BLB-3000-RHNPT-1612	3/4" NPT	70	55	35	M10x40	3/8"x1"1/2	2-219
276	1"1/4	BLB-3000-RHNPT-2020	1"1/4 NPT	79	68	41	M10x40	7/16"x1"3/4	2-222
276	1"1/4	BLB-3000-RHNPT-2016	1" NPT	81	65	42	M10x40	7/16"x1"3/4	2-222
207	1"1/2	BLB-3000-RHNPT-2424	1"1/2 NPT	93	78	45	M12x45	1/2"x1"3/4	2-225
207	1"1/2	BLB-3000-RHNPT-2420	1"1/4 NPT	95	78	45	M12x45	1/2"x1"3/4	2-225
207	2"	BLB-3000-RHNPT-3232	2" NPT	102	90	45	M12x45	1/2"x1"3/4	2-228
207	2"	BLB-3000-RHNPT-3224	1"1/2 NPT	102	90	45	M12x45	1/2"x1"3/4	2-228
172	2"1/2	BLB-3000-RHNPT-4040	2"1/2 NPT	114	105	50	M12x45	1/2"x1"3/4	2-232
138	3"	BLB-3000-RHNPT-4848	3" NPT	134	124	50	M16x50	5/8"x2"	2-237
34	3"1/2	BLB-3000-RHNPT-5656	3"1/2 NPT	152	136	48	M16x50	5/8"x2"	2-241
34	4"	BLB-3000-RHNPT-6464	4" NPT	162	146	48	M16x50	5/8"x2"	2-254
SERIE 6000									
414	3/4"	BLB-6000-RHNPT-1212	3/4" NPT	71	55	35	M10x40	3/8"x1"1/2	2-214
414	3/4"	BLB-6000-RHNPT-1206	1/2" NPT	71	55	35	M10x40	3/8"x1"1/2	2-214
414	1"	BLB-6000-RHNPT-1616	1" NPT	81	65	42	M12x45	7/16"x1"3/4	2-219
414	1"	BLB-6000-RHNPT-1612	3/4" NPT	81	65	42	M12x45	7/16"x1"3/4	2-219
414	1"1/4	BLB-6000-RHNPT-2020	1"1/4 NPT	95	78	45	M14x45	-	2-222
414	1"1/4	BLB-6000-RHNPT-2016	1" NPT	95	78	45	M14x45	-	2-222
414	1"1/2	BLB-6000-RHNPT-2424	1"1/2 NPT	112	94	50	M16x55	5/8"x2"1/4	2-225
414	1"1/2	BLB-6000-RHNPT-2420	1"1/4 NPT	112	94	50	M16x55	5/8"x2"1/4	2-225
414	2"	BLB-6000-RHNPT-3232	2" NPT	134	114	65	M20x70	3/4"x2"3/4	2-228
414	2"	BLB-6000-RHNPT-3224	1"1/2 NPT	134	114	65	M20x70	3/4"x2"3/4	2-228

DESIGNACIÓN POR PEDIDO
DESIGNATION FOR ORDER

MATERIAL

1045/1020 AISI 316L

Solo brida

BLB.. IBLB..

Only flange

Brida completa de tornillos métricos, arandelas y junta tórica
Flange complete of metric screws, grower type washers and o-ring

MBLB.. MIBLB..

Brida completa de tornillos unc, arandelas y junta tórica
Flange complete of unc screws, grower type washers and o-ring

UBLB.. UIBLB..