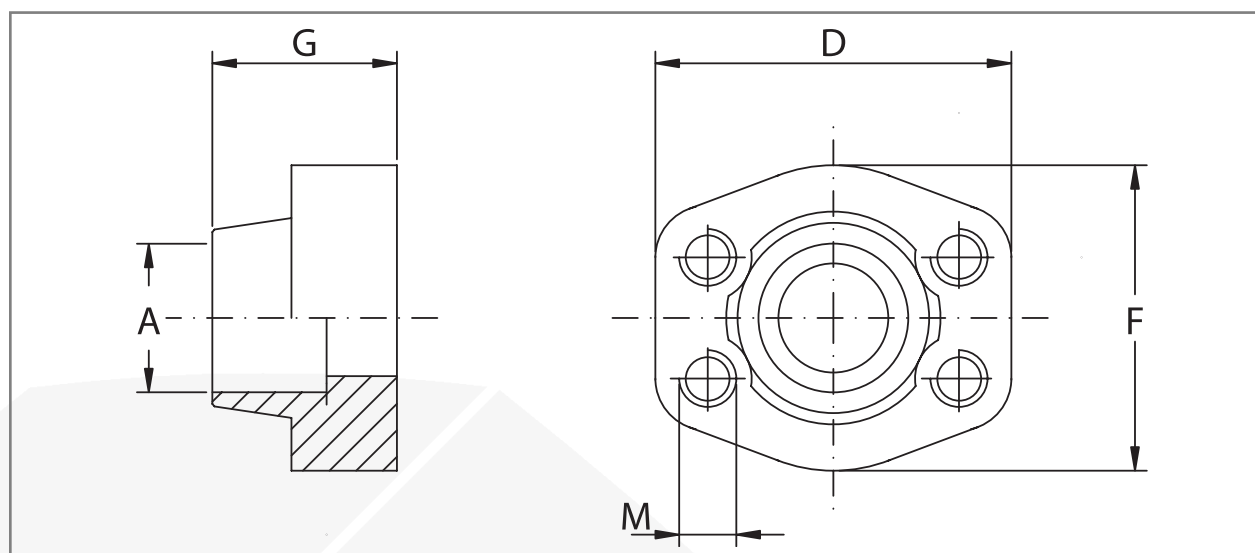




OSSO FACTORY

CONTRABRIDAS  
SOLDABLES -  
TUBO METRICO

METRIC PIPE  
WELD IN  
COUNTER -  
FLANGES



Presion maxima/ maximum pressure Kg/cm <sup>2</sup>	Medida/Size	Tipo/Type	Dimensiones/ Dimensions					Metrico/Metric	UNC
			A	D	F	G	M		
<b>SERIE 3000</b>									
345	3/4"	BLC-3000-SW-1225	25,3	65	50	36	M10	3/8"	
345	1"	BLC-3000-SW-1630	30,3	70	55	38	M10	3/8"	
276	1"1/4	BLC-3000-SW-2038	38,3	79	68	41	M10	7/16"	
207	1"1/2	BLC-3000-SW-2450	50,5	93	78	45	M12	1/2"	
<b>SERIE 6000</b>									
414	3/4"	BLC-3000-SW-1225	25,3	71	55	35	M10	3/8"	
414	1"	BLC-6000-SW-1630	30,3	81	65	42	M12	7/16"	
414	1"1/4	BLC-6000-SW-2038	38,3	95	78	45	M14	1/2"	
414	1"1/2	BLC-6000-SW-2450	50,5	112	94	50	M16	5/8"	

DESIGNACIÓN POR PEDIDO

DESIGNATION FOR ORDER

Contrabrida con orificios de fijación roscados métricos  
Counter-flange with metric threaded fixing holes

Contra brida con agujeros de fijación roscados unc  
Counter-flange with unc threaded fixing holes

MATERIAL

1045/1020

AISI 316L

MBLC..

MIBLC..

UBLC..

UIBLC..