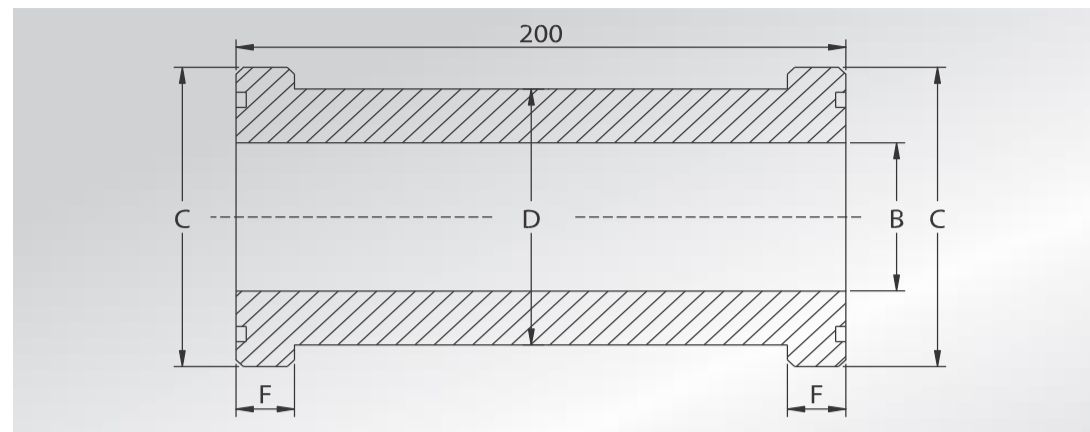






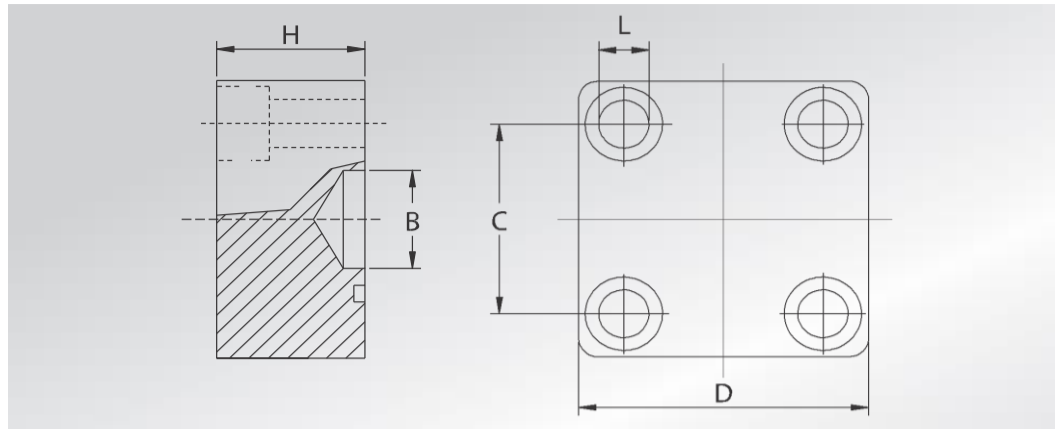
OSO FACTORY SAC



Presion maxima/ maximum pressure Kg/cm <sup>2</sup>	Medida/Size	Tipo/Type	Dimensiones/ Dimensions				O-ring
			B	C	D	-	
<b>SERIE 3000</b>							
345	3/4"	BRBR-3000-1212	19	38,1	32	-	2-214
345	1"	BRBR-3000-1616	25	44,4	38	-	2-219
276	1"1/4	BRBR-3000-2020	32	50,8	43	-	2-222
207	1"1/2	BRBR-3000-2424	38	60,3	50	-	2-225
207	2"	BRBR-3000-3232	50	71,4	62	-	2-228
<b>SERIE 6000</b>							
414	3/4"	BRBR-6000-1212	19	41,3	32	-	2-214
414	1"	BRBR-6000-1616	25	47,6	38	-	2-219
414	1"1/4	BRBR-6000-2020	32	54,0	44	-	2-222
414	1"1/2	BRBR-6000-2424	38	63,5	51	-	2-225
414	2"	BRBR-6000-3232	50	79,4	67	-	2-228



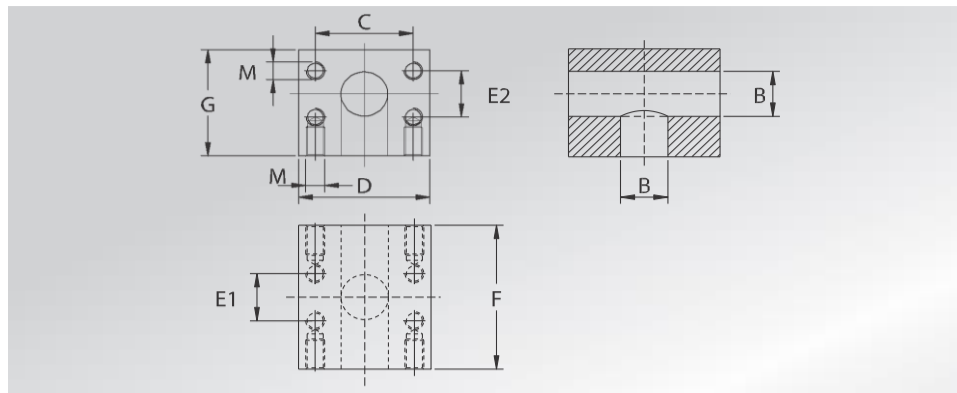
OSO FACTORY SAC



Presion maxima/ maximum pressure Kg/cm <sup>2</sup>	Medida/Size	Tipo/Type	Dimensiones/ Dimensions			Tornillo/Screws (L)	O-ring
			D	H	-	Metrico/Metric	
<b>SERIE 250</b>							
250	3/4"	BLBCT-250-12	50	32	-	M8x45	2-214
250	1"	BLBCT-250-16	65	35	-	M10x50	2-219
250	1"1/4	BLBCT-250-20	75	38	-	M12x55	2-222
250	1"1/2	BLBCT-250-24	85	42	-	M14x65	2-225
250	2"	BLBCT-250-32	100	44	-	M16x70	2-228
250	2"1/2	BLBCT-250-40	120	55	-	M20x70	2-232
250	3"	BLBCT-250-48	140	60	-	M20x70	2-237
250	4"		160	60	-	M24x80	2-254
<b>SERIE 400</b>							
400	3/4"	BLBCT-400-12	50	32	-	M8x45	2-214
400	1"	BLBCT-400-16	65	35	-	M10x50	2-219
400	1"1/4	BLBCT-400-20	75	38	-	M12x55	2-222
400	1"1/2	BLBCT-400-24	85	42	-	M14x65	2-225
400	2"	BLBCT-400-32	100	44	-	M16x70	2-228
400	2"1/2	BLBCT-400-40	120	55	-	M20x70	2-232
400	3"	BLBCT-400-48	140	60	-	M20x70	2-237
400	4"	BLBCT-400-64	160	60	-	M24x80	2-254



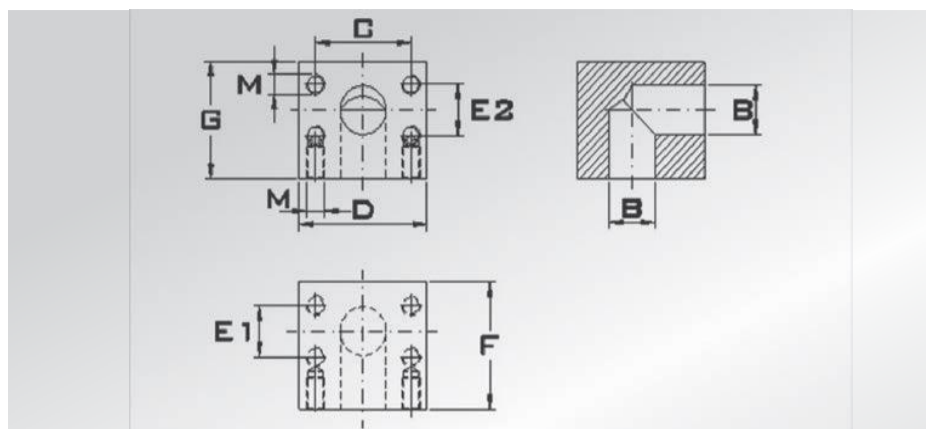
OSO FACTORY SAC



Presion maxima/ maximum pressure Kg/cm <sup>2</sup>	Medida/Size	Tipo/Type	Dimensiones/ Dimensions				
			D	F	G	-	M
<b>SERIE 3000</b>							
345	3/4"	BLTC-3000-121212	65	75	55	-	M10
345	1"	BLTC-3000-161616	70	80	60	-	M10
276	1"1/4	BLTC-3000-202020	80	90	70	-	M10
207	1"1/2	BLTC-3000-242424	100	110	85	-	M12
207	2"	BLTC-3000-323232	120	117	100	-	M12
172	2"1/2	BLTC-3000-404040	115	160	120	-	M12
<b>SERIE 6000</b>							
400	3/4"	BLTC-6000-121212	75	70	55	-	M10
400	1"	BLTC-6000-161616	80	78	64	-	M12
400	1"1/4	BLTC-6000-202020	100	92	72	-	M14
400	1"1/2	BLTC-6000-242424	110	98	98	-	M16
400	2"	BLTC-6000-323232	140	137	105	-	M20



OSSO FACTORY SAC



Presion maxima/ maximum pressure Kg/cm <sup>2</sup>	Medida/Size	Tipo/Type	Dimensiones/ Dimensions				
			D	F	G	-	M
<b>SERIE 3000</b>							
345	3/4"	BL90C-3000-1212	65	59	59	-	M10
345	1"	BL90C-3000-1616	72	64	64	-	M10
276	1"1/4	BL90C-3000-2020	85	82	80	-	M10
207	1"1/2	BL90C-3000-2424	100	92	92	-	M12
207	2"	BL90C-3000-3232	102	85	87	-	M12
<b>SERIE 6000</b>							
400	3/4"	BL90C-3000-1212	72	59	55	-	M10
400	1"	BL90C-3000-1616	82	72	72	-	M12
400	1"1/4	BL90C-3000-2020	96	74	74	-	M14
400	1"1/2	BL90C-3000-2424	114	89	89	-	M16
400	2"	BL90C-3000-3232	133	107	107	-	M20