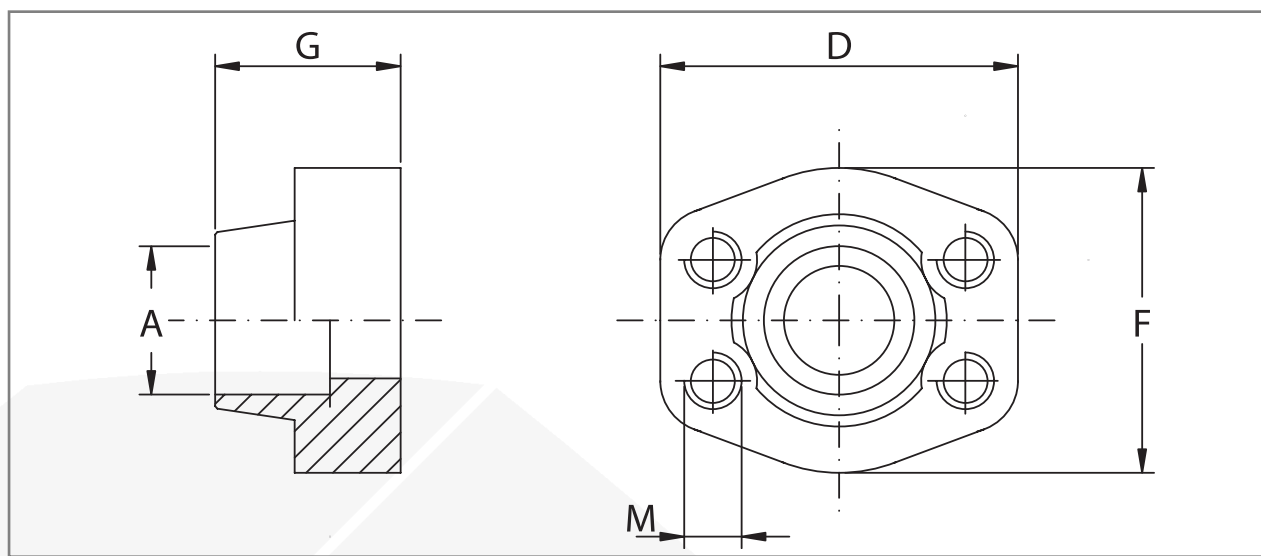




OSO FACTORY

CONTRABRIDAS
SOLDABLES DE
ENCAJE

SOCKET WELD
COUNTER-
FLANGES



Presion maxima/ maximum pressure Kg/cm ²	Medida/Size	Tipo/Type	Dimensiones/ Dimensions					Metrico/Metric	UNC
			A	D	F	G	M		
SERIE 3000									
345	3/4"	BLC-3000-SW-1212	27,2	65	50	36	M10	3/8"	
345	1"	BLC-3000-SW-1616	34,0	70	55	38	M10	3/8"	
276	1"1/4	BLC-3000-SW-2020	42,8	79	68	41	M10	7/16"	
207	1"1/2	BLC-3000-SW-2424	48,6	93	78	45	M12	1/2"	
207	2"	BLC-3000-SW-3232	61,0	102	90	45	M12	1/2"	
172	2"1/2	BLC-3000-SW-4040	76,6	114	105	50	M12	1/2"	
138	3"	BLC-3000-SW-4848	90,5	134	124	50	M16	5/8"	
34	3"1/2	BLC-3000-SW-5656	103,0	152	136	48	M16	5/8"	
34	4"	BLC-3000-SW-6464	115,5	162	146	48	M16	5/8"	
SERIE 6000									
414	3/4"	BLC-6000-SW-1212	27,2	71	55	35	M10	3/8"	
414	1"	BLC-6000-SW-1616	34,0	81	65	42	M12	7/16"	
414	1"1/4	BLC-6000-SW-2020	42,8	95	78	45	M14	1/2"	
414	1"1/2	BLC-6000-SW-2424	48,6	112	94	50	M16	5/8"	
414	2"	BLC-6000-SW-3232	61,0	134	114	65	M20	3/4"	

DESIGNACIÓN POR PEDIDO
DESIGNATION FOR ORDER

MATERIAL

1045/1020

AISI 316L

Contrabrida con orificios de fijación roscados métricos
Counter-flange with metric threaded fixing holes

MBLC..

MIBLC..

Contra brida con agujeros de fijación roscados unc
Counter-flange with unc threaded fixing holes

UBLC..

UIBLC..