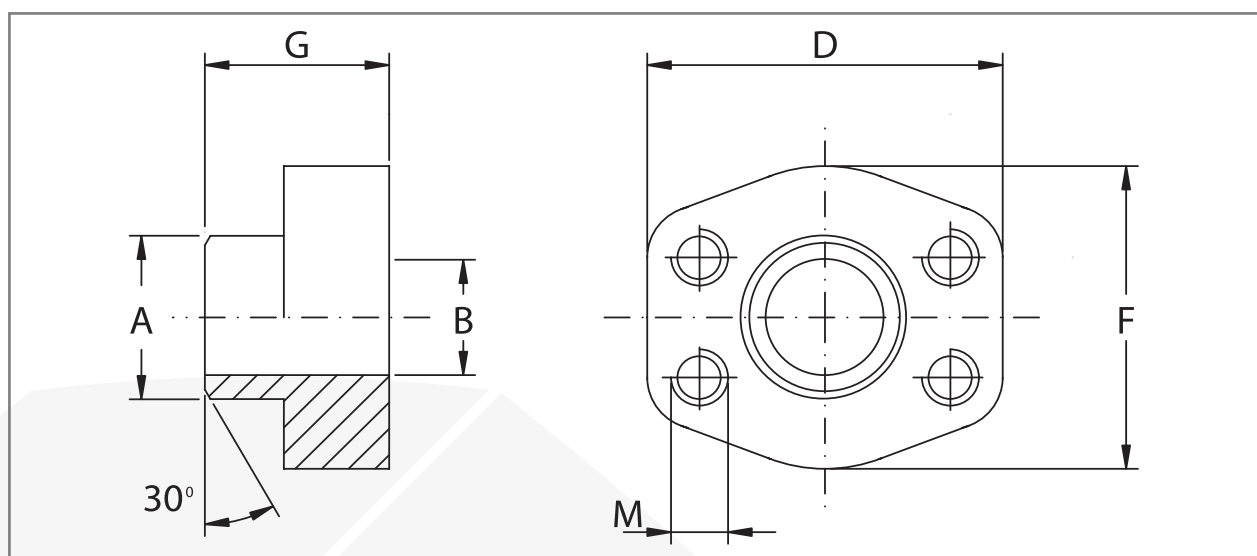




OSSO FACTORY

CONTRABRIDAS  
SOLDABLES  
SCH.XXS

WELDING NECK  
COUNTER -  
FLANGES  
SCH.XXS



Presion maxima/ maximum pressure Kg/cm <sup>2</sup>	Medida/Size	Tipo/Type	Dimensiones/ Dimensions							
			A	B	D	F	G	M		
<b>SERIE 3000</b>									Metrico/Metric	UNC
345	3/4"	BLC-3000-WN.SCHXXS-1212	28,0	11,0	65	50	36	M10	3/8"	
345	1"	BLC-3000-WN.SCHXXS-1616	34,0	15,2	70	55	38	M10	3/8"	
276	1"1/4	BLC-3000-WN.SCHXXS-2020	42,8	22,8	79	68	41	M10	7/16"	
207	1"1/2	BLC-3000-WN.SCHXXS-2424	48,6	28,0	93	78	44	M12	1/2"	
207	2"	BLC-3000-WN.SCHXXS-3232	61,0	38,2	102	90	45	M12	1/2"	
172	2"1/2	BLC-3000-WN.SCHXXS-4040	77,0	45,0	114	105	50	M12	1/2"	
138	3"	BLC-3000-WN.SCHXXS-4848	92,0	58,4	134	124	50	M16	5/8"	
138	4"	BLC-3000-WN.SCHXXS-6464	115,5	80,0	162	146	48	M16	5/8"	
<b>SERIE 6000</b>										
414	3/4"	BLC-6000-WN.SCHXXS-1212	28,0	11,0	71	55	35	M10	3/8"	
414	1"	BLC-6000-WN.SCHXXS-1616	34,0	15,2	79	68	42	M12	7/16"	
414	1"1/4	BLC-6000-WN.SCHXXS-2020	42,8	22,8	93	78	44	M14	1/2"	
414	1"1/2	BLC-6000-WN.SCHXXS-2424	48,6	28,0	112	94	55	M16	5/8"	
414	2"	BLC-6000-WN.SCHXXS-3232	61,0	38,2	134	114	65	M20	3/4"	

DESIGNACIÓN POR PEDIDO DESIGNATION FOR ORDER	MATERIAL	
	1045/1020	AISI 316L
Contrabrida con orificios de fijación roscados métricos Counter-flange with metric threaded fixing holes	MBLC..	MIBLC..
Contra brida con agujeros de fijación roscados unc Counter-flange with unc threaded fixing holes	UBLC..	UIBLC..