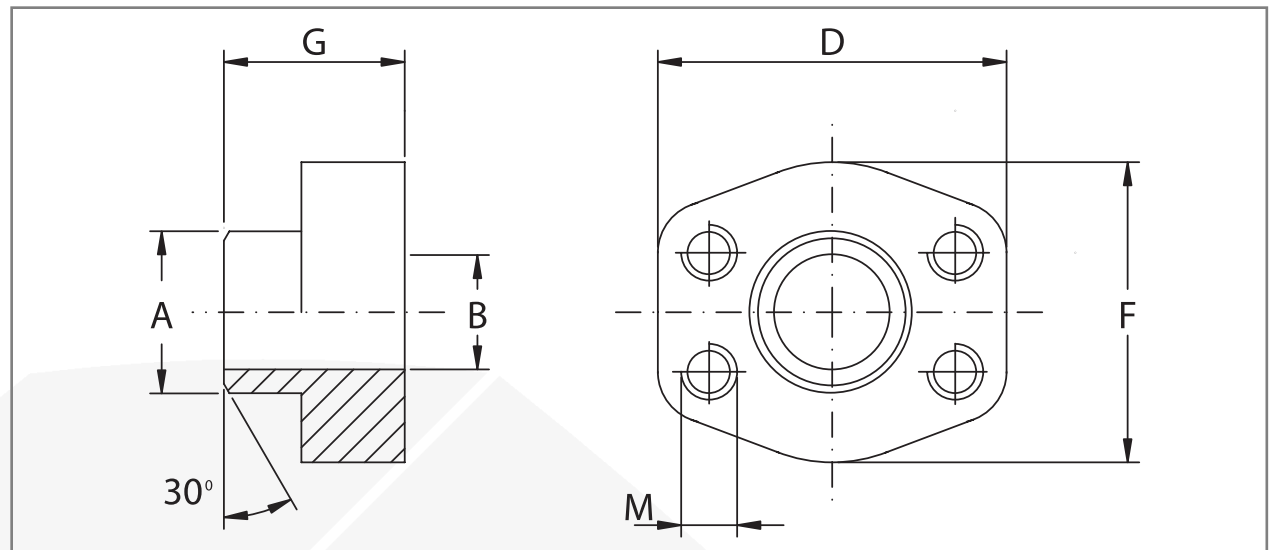




OSSO FACTORY

CONTRABRIDAS
SOLDABLES
SCH.80

WELDING NECK
COUNTER -
FLANGES
SCH.80



Presion maxima/ maximum pressure Kg/cm ²	Medida/Size	Tipo/Type	Dimensiones/ Dimensions							
			A	B	D	F	G	M		
SERIE 3000									Metrico/Metric	UNC
345	3/4"	BLC-3000-WN.SCH80-1212	28,0	19	65	50	36	M10	3/8"	
345	1"	BLC-3000-WN.SCH80-1616	34,0	25	70	55	38	M10	3/8"	
276	1"1/4	BLC-3000-WN.SCH80-2020	42,8	32	79	68	41	M10	7/16"	
207	1"1/2	BLC-3000-WN.SCH80-2424	48,6	38	93	78	44	M12	1/2"	
207	2"	BLC-3000-WN.SCH80-3232	61,0	51	102	90	45	M12	1/2"	
172	2"1/2	BLC-3000-WN.SCH80-4040	77,0	63	114	105	50	M12	1/2"	
138	3"	BLC-3000-WN.SCH80-4848	92,0	73	134	124	50	M16	5/8"	
34	3"1/2	BLC-3000-WN.SCH80-5656	103,0	89	152	136	48	M16	5/8"	
34	4"	BLC-3000-WN.SCH80-6464	115,5	99	162	146	48	M16	5/8"	
SERIE 6000										
414	3/4"	BLC-6000-WN.SCH80-1212	28,0	19	71	55	35	M10	3/8"	
414	1"	BLC-6000-WN.SCH80-1616	34,0	25	79	68	41	M12	7/16"	
375	1"1/4	BLC-6000-WN.SCH80-2020	42,8	32	93	78	44	M14	1/2"	
320	1"1/2	BLC-6000-WN.SCH80-2424	48,6	38	112	94	55	M16	5/8"	
250	2"	BLC-6000-WN.SCH80-3232	61,0	51	134	114	65	M20	3/4"	

DESIGNACIÓN POR PEDIDO DESIGNATION FOR ORDER	MATERIAL	
	1045/1020	AISI 316L
Contrabrida con orificios de fijación roscados métricos Counter-flange with metric threaded fixing holes	MBLC..	MIBLC..
Contra brida con agujeros de fijación roscados unc Counter-flange with unc threaded fixing holes	UBLC..	UIBLC..