

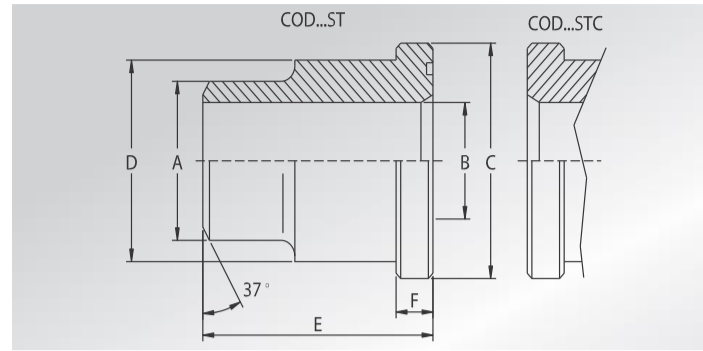
--	--

--





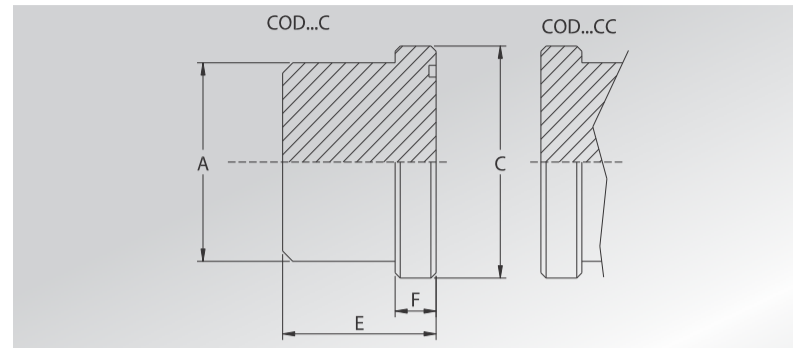
OSSO FACTORY SAC



Presion maxima/ maximum pressure Kg/cm ²	Medida/Size	Tipo/Type	Dimensiones/ Dimensions			O-ring
			A	C	E	
SERIE 250						
250	3/4"	BRCT-250-WN-1212	28	38,1	35	2-214
250	1"	BRCT-250-WN-1616	34	44,4	40	2-219
250	1"1/4	BRCT-250-WN-2020	42,8	50,8	45	2-222
250	1"1/2	BRCT-250-WN-2424	48,6	60,3	50	2-225
250	2"	BRCT-250-WN-3232	61	71,4	60	2-228
250	2"1/2	BRCT-250-WN-4040	77	87,2	70	2-232
250	3"	BRCT-250-WN-4848	92	101,6	80	2-237
250	3"1/2	BRCT-250-WN-5656	103	119,0	90	2-241
250	4"	BRCT-250-WN-6464	115,5	131,0	105	2-254
SERIE 400						
400	3/4"	BRCT-250-WN-1212	28	39,5	45	2-214
400	1"	BRCT-250-WN-1616	34	47,6	50	2-219
400	1"1/4	BRCT-250-WN-2020	42,8	54,0	55	2-222
400	1"1/2	BRCT-250-WN-2424	48,6	63,5	60	2-225
400	2"	BRCT-250-WN-3232	61	79,4	70	2-228
400	2"1/2	BRCT-250-WN-4040	77	94,2	80	2-232
400	3"	BRCT-250-WN-4848	92	104,0	90	2-237
400	3"1/2	BRCT-250-WN-5656	103	119,0	90	2-241
400	4"	BRCT-250-WN-6464	115,5	131,0	105	2-254



OSO FACTORY SAC



Presion maxima/ maximum pressure Kg/cm ²	Medida/Size	Tipo/Type	Dimensiones/ Dimensions			O-ring
			A	C	E	
SERIE 250						
250	3/4"	BRCT-250-12	28	38,1	17	2-214
250	1"	BRCT-250-16	34	44,4	19	2-219
250	1"1/4	BRCT-250-20	42,8	50,8	23	2-222
250	1"1/2	BRCT-250-24	48,6	60,3	26	2-225
250	2"	BRCT-250-32	61	71,4	31	2-228
250	2"1/2	BRCT-250-40	77	87,2	37	2-232
250	3"	BRCT-250-48	92	101,6	42	2-237
250	3"1/2	BRCT-250-56	103	119,0	54	2-241
250	4"	BRCT-250-64	115,5	131,0	62	2-254
SERIE 400						
400	3/4"	BRCT-400-12	28	39,5	21	2-214
400	1"	BRCT-400-16	34	47,6	25	2-219
400	1"1/4	BRCT-400-20	42,8	54,0	31	2-222
400	1"1/2	BRCT-400-24	48,6	63,5	33	2-225
400	2"	BRCT-400-32	61	79,4	42	2-228
400	2"1/2	BRCT-400-40	77	94,2	47	2-232
400	3"	BRCT-400-48	92	104,0	54	2-237
400	3"1/2	BRCT-400-56	103	119,0	54	2-241
400	4"	BRCT-400-64	115,5	131,0	62	2-254